

**LOCATION LAMP****FLPJ001/FLPJ001-T****FEATURES**

- Red colored
- Low current and high durability
- Low voltage operation
- Wide and high visibility
- Non-combustible and self-extinguishing materials used
- Drip-proof type available
- Approved by Association of Fire Alarms of Japan

**DESCRIPTION**

The NOHMI's high performance location lamp model FLPJ001 and FLPJ001-T are used, but not limited to, for notifying occupants of the location of a manual fire alarm box. The location lamp can repeatedly be turned on and off with a short interval of time to indicate the hydrant pump starting by using together with the NOHMI Hydrant Pump Starter Relay Box.

The location lamp should be installed on the wall just

above a manual fire alarm box, to be clearly seen at a position within 10m apart from the location lamp.

The location lamp is harmless to occupants since it does not use any fragile materials.

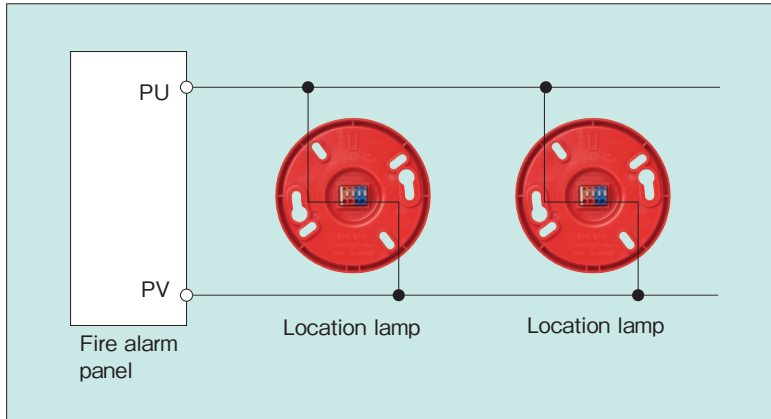
The location lamp is provided with a red L.E.D. lamp as a light source which has 5-light emitting diodes in it.

**SPECIFICATIONS**

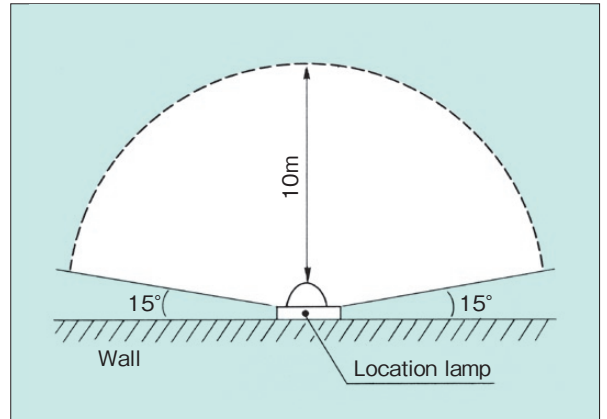
| Model No.                      | FLPJ001   | FLPJ001-T   |
|--------------------------------|---|-------------|
| <b>TYPE</b>                    | Standard  | Drip-proof  |
| <b>LAMP</b>                    | Red L.E.D. lamp   |             |
| <b>RATED VOLTAGE</b>           | 24 VDC/AC (21 to 31 VDC/AC)                                     |             |
| <b>RATED CURRENT</b>           | 15mA  |             |
| <b>AMBIENT TEMPERATURE</b>     | - 10 to 50°C  |             |
| <b>MAIN MATERIAL</b>           | Globe and frame : Polyvinyl chloride resin(Self-extinguishable) |             |
| <b>WEIGHT</b>                  | Approx. 55g   | Approx. 80g |
| <b>MOUNTING BOX</b>            | JIS C 8340 102×102×44mm   |             |
| <b>1. OUTLET BOX</b>           | JIS C 8340 Mounting pitch of 66.7mm                             |             |
| <b>BOX COVER</b>               | JIS C 8340 Mounting pitch of 73mm                               |             |
| <b>2. CIRCULAR SURFACE BOX</b> |   |             |

**NOHMI BOSAI LTD.**

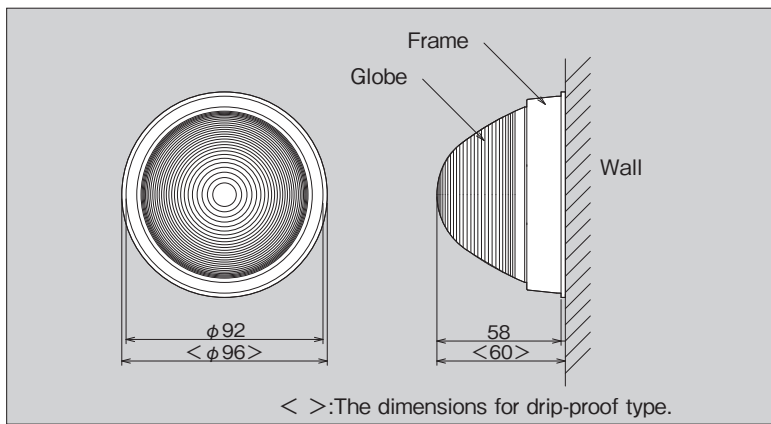
## TYPICAL WIRING DIAGRAM



## PERFORMANCE

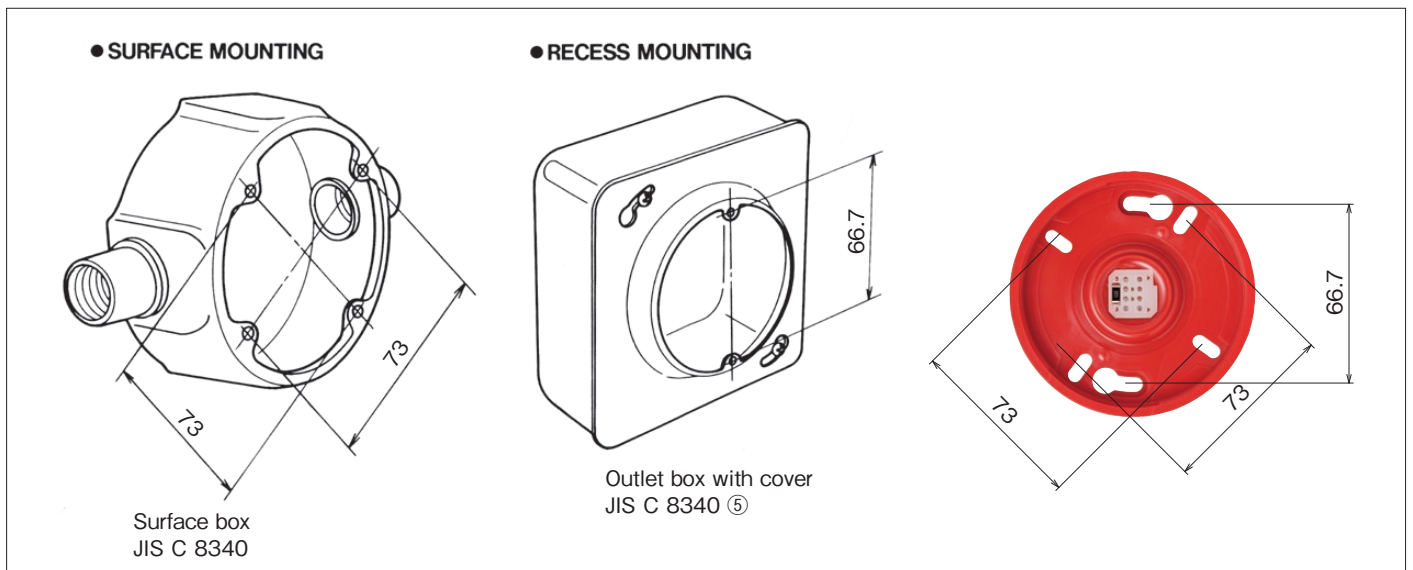


## DIMENSIONS



The location lamp has a high luminance with which the light from the lamp can be clearly visible at a position 10m apart from the location lamp along with a direction of an angle of 15° or more from the mounting surface.

## INSTALLATION



- These instructions do not purport to cover all the details or variations in the equipment described, nor provide for every possible contingency to be met in connection with installation, operation and maintenance.
- Specifications are subject to change without notice. Contact Nohmi before relying on above specifications.
- Actual performance is based on proper application of the product by a qualified professional.
- Should further information be desired or should particular problems arise, which are not covered sufficiently for the purchaser's purposes, the matter should be referred to Nohmi or a distributor in your region.

# NOHMI

NOHMI BOSAI LTD.

- HEAD OFFICE : 7-3, Kudan Minami 4-chome, Chiyoda-ku, Tokyo 102-8277, Japan
- PHONE : (81)3-3265-0231
- F A X : (81)3-3265-5348
- U R L : <http://www.nohmi.co.jp/english/>