



EYSTON Latest Photoelectric Technology

PHOTOELECTRIC SMOKE DETECTOR

9VDC BATTERY POWER

Main Features

- Certified to UL217
- Photoelectric sensor-advanced photoelectric sensor will detect visible-particles
- Loud 85 dB alarm signal in 10 ft
- Operated with single 9VDC battery
- Self-test button
- Battery missing indicator
- Low-battery warning indicator
- LED operation indicator
- Environmental Friendly
- No radioactive materials
- Easy installation

SIGNALING



Single Station
Smoke Detector **SD-191H**

Description

The **SD-191H** photoelectric smoke alarm is battery operated protecting you and your family even during power outages. This unit doesn't require any wiring, so it can install easily in minutes. The **SD-191H** has a test button that allows you to try out the alarm's electronic circuitry, horn and battery function by yourself.

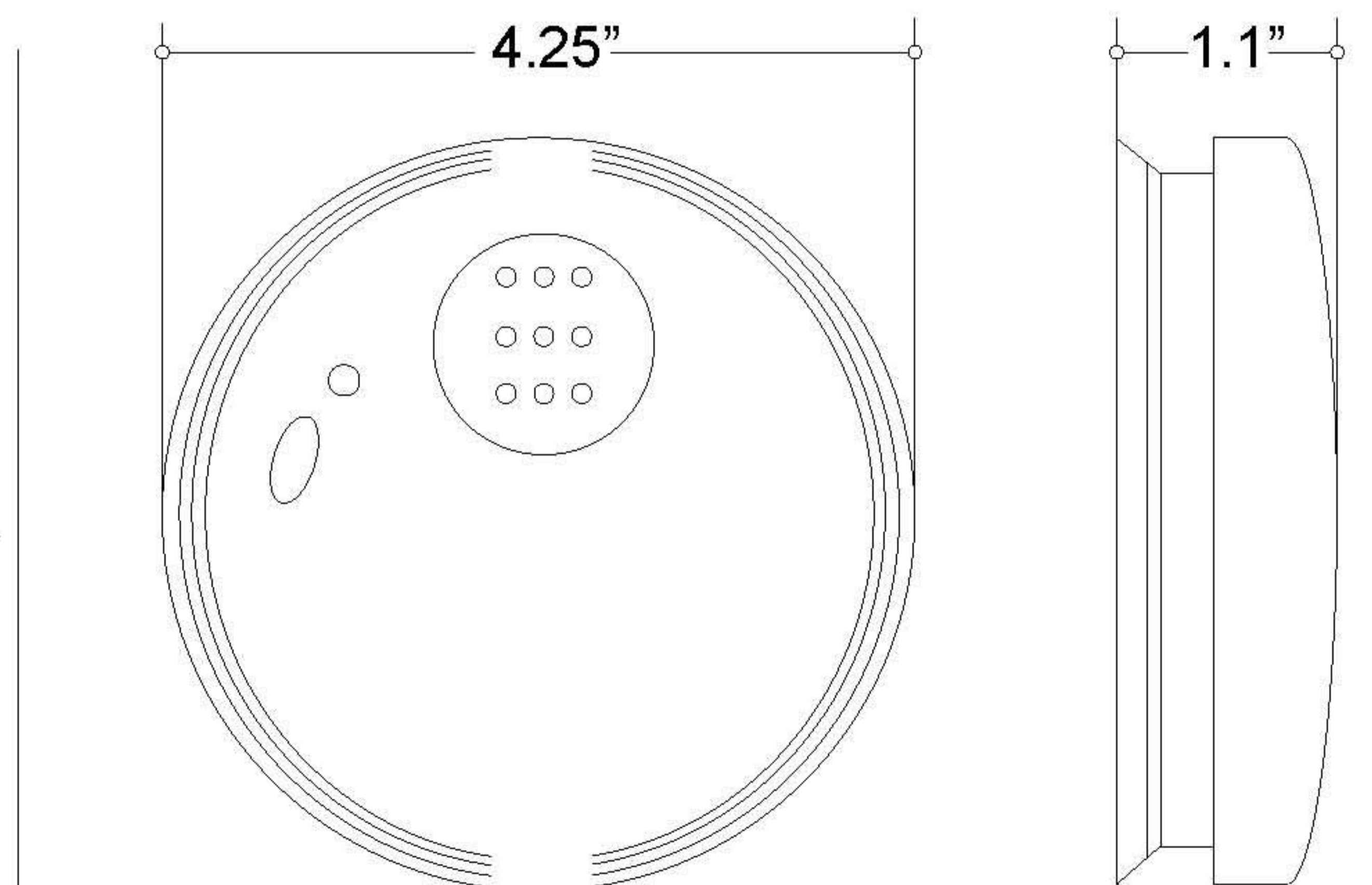
SD-191H is recommended in every living area (except in the bathroom) and every place such as home, apartment and condominium etc. to make sure that everyone can hear the alarm all the time.

Operation

Once the smoke alarm has been installed a small light (LED), positioned under the test button, it should flash approximately once a minute in normal operation. If smoke is detected, the unit will emit a loud pulsating alarm until the air is clear.

Technical Specifications

| | |
|-------------------|-----------------------------------|
| Model: | SD-191H |
| Power Source: | 9VDC Battery (included) |
| Audio Alarm: | 85dB in 10ft |
| Sensor: | Photoelectric |
| LED: | Red, normal operation |
| Plastic Material: | ABS |
| Colour: | Bright White |
| Packing: | Gift Box |
| Size: | 4.25inch (Diameter) x 1.1inch (H) |
| Weight: | .5lbs (With Battery) |
| Warranty: | 1 year warranty |



SD-191H Photoelectric Smoke Detector

Product : **Sound Well (Hong Kong) Co., Ltd.**

B2, 3/F, Fortune Factory Building, 40
Lee Chung Street, Chai Wan, Hong Kong