

**FIRE ALARM SIGNALING DEVICES**

# Fire Alarm Bell



LISTED  
1124

**ULSZ S9014**  
**Audible Signal Appliances**  
**AIP-1024**  
**AIP-624B**

## Modular Alarm Bells

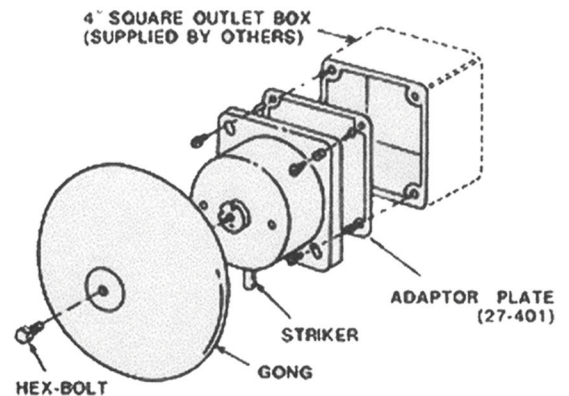
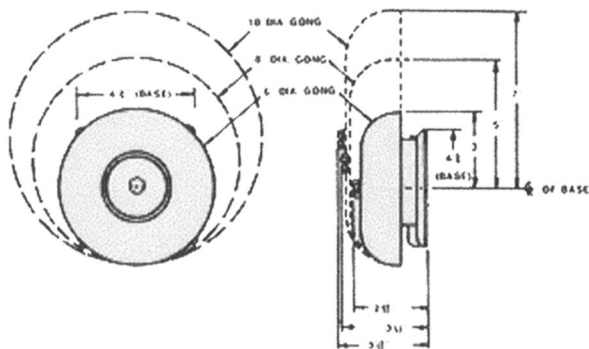
- Basic bell mounting plate to meet installation requirements.

## Low Power Consumption

- Enables using bell in sufficient quantity for uniform distribution

## Installation Note

- Remove a gong.
- Wire the bell in the circuit.
- Mount bell mechanism on 4" square standard outlet box with the striker facing down.
- Remove a gong.
- The bell must be mounted a minimum of 8ft., above the floor, or , as close to the ceiling as possible.
- Polarized bell provides Red(+) and Black(-) lead wires. When you install the bell, must be observed the polarity.



### Coil Driven Type Alarm Bell

Model	Gong Size (Inch)	Rated Voltage	Rated Current	db@10ft	Approval
AIP-1024	6	24VDC	100mA	95	UL

### Motor Driven Type Alarm Bell

Model	Gong Size (Inch)	Rated Voltage	Rated Current	db@10ft	Approval
AIP-624B	6	24VDC	20mA	95	UL